

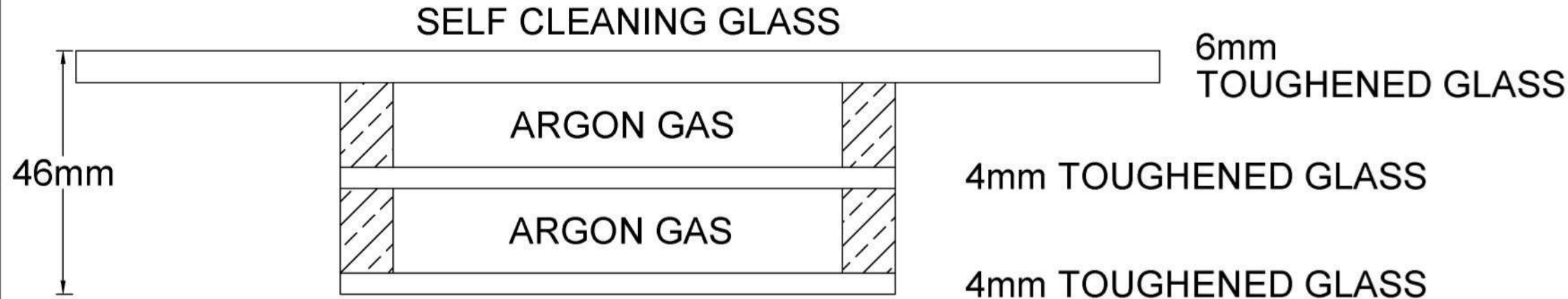


EOS Sunview
Stepped Triple Glazed Skylight

Technical Drawings

STEPPED UNIT TOUGHENED INNER PANE

ALL SIZES UP TO 1000 x 2000mm



6mm TOUGHENED CLEAR GLASS, SELF-CLEAN
16mm CAVITY, 90% ARGON
4mm TOUGHENED CLEAR, SOFT COAT LOW-E GLASS
16mm CAVITY, 90% ARGON FILLED
4mm TOUGHENED CLEAR, SOFT COAT LOW-E GLASS

OVERALL THICKNESS: 46mm
WEIGHT: APPROX 35Kg/Sqm
GLASS THERMAL TRANSMITTANCE U-VALUE: 0.8W/m²K



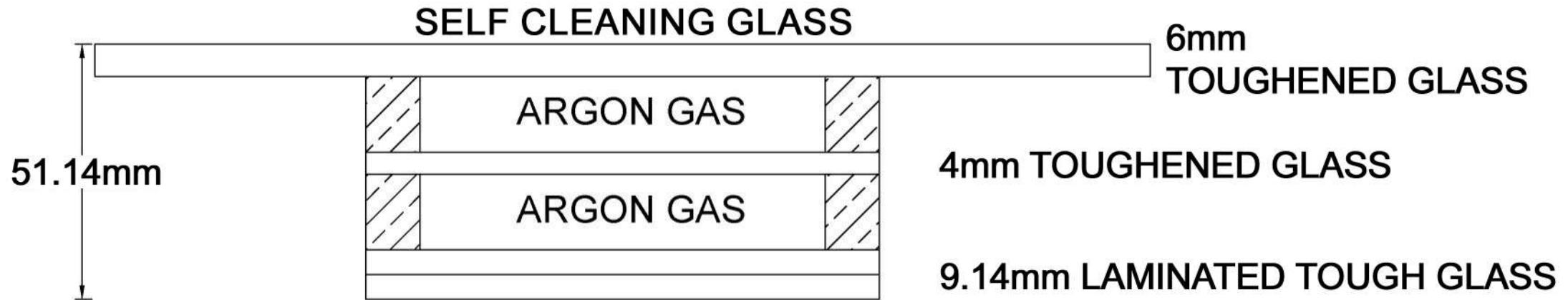
ELECTRIC OPENING SKYLIGHTS LTD

ROOFLIGHT SECTION

| SCALE | SHEET SIZE |
|--------------|--------------|
| 1:1 | A4 |
| DATE | ORG NO. REV. |
| 10 - 01 - 22 | PL - 01 - |

STEPPED UNIT LAMINATED INNER PANE

ALL SIZES OVER 1000 x 2000mm



6mm TOUGHENED CLEAR GLASS, SELF-CLEAN

16mm CAVITY, 90% ARGON

4mm TOUGHENED CLEAR, SOFT COAT LOW-E GLASS

16mm CAVITY, 90% ARGON FILLED

9.14mm TOUGHENED LAMINATED INC 1.14mm CLEAR PVB INTERLAYER

OVERALL THICKNESS: 51.14mm

WEIGHT: APPROX 45Kg/Sqm

GLASS THERMAL TRANSMITTANCE U-VALUE: 0.8W/m²K



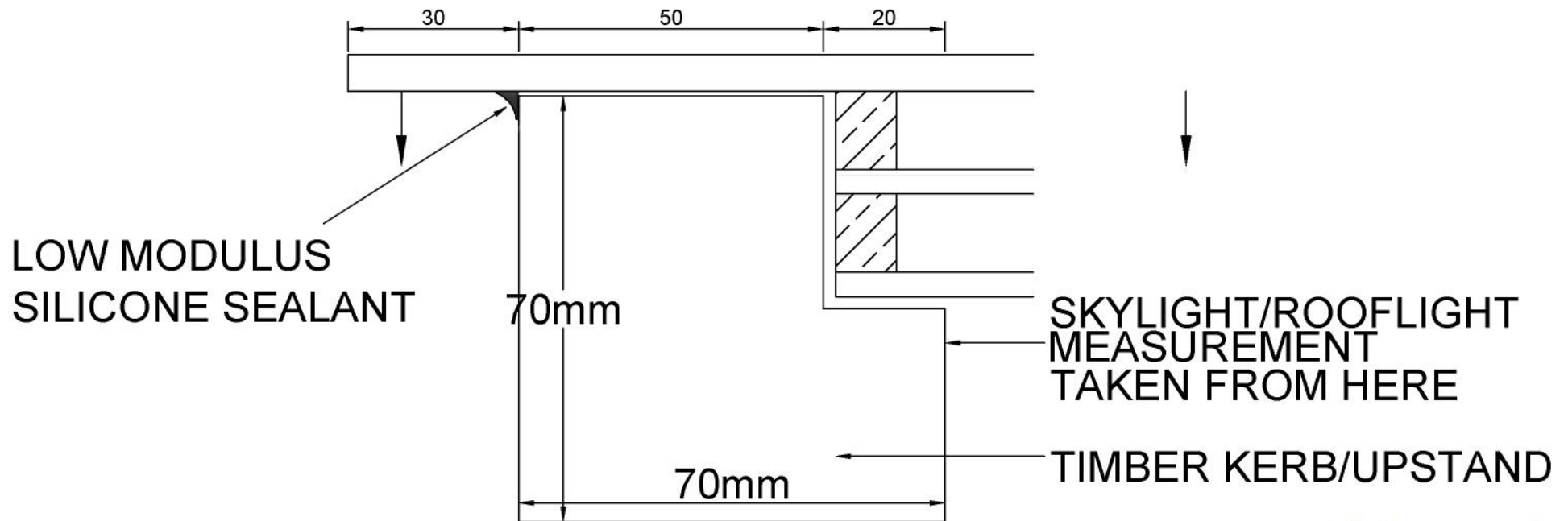
ELECTRIC OPENING SKYLIGHTS LTD

ROOFLIGHT SECTION

| SCALE | SHEET SIZE | |
|--------------|------------|-----|
| 1:1 | A4 | |
| DATE | ORG HO | REV |
| 10 - 01 - 22 | PL - 02 | - |

RECOMMENDED FALL GRADIENT OF 80mm FOR EVERY 1000mm INCLUDING THE FALL OF THE ROOF.
A WATER TEST IS ADVISED BEFORE SEALING TO ENSURE WATER RUN OFF.

APPLY LOW MODULUS SEALANT AROUND THE PERIMETER BETWEEN THE UNDERSIDE OF THE GLASS BORDER AND TOP OUTER EDGE OF THE KERB.



LOW MODULUS SEALANT MUST BE USED ANY SOLVENT BASED SILICONE SEALANT WILL INVALIDATE THE WARRANTY.

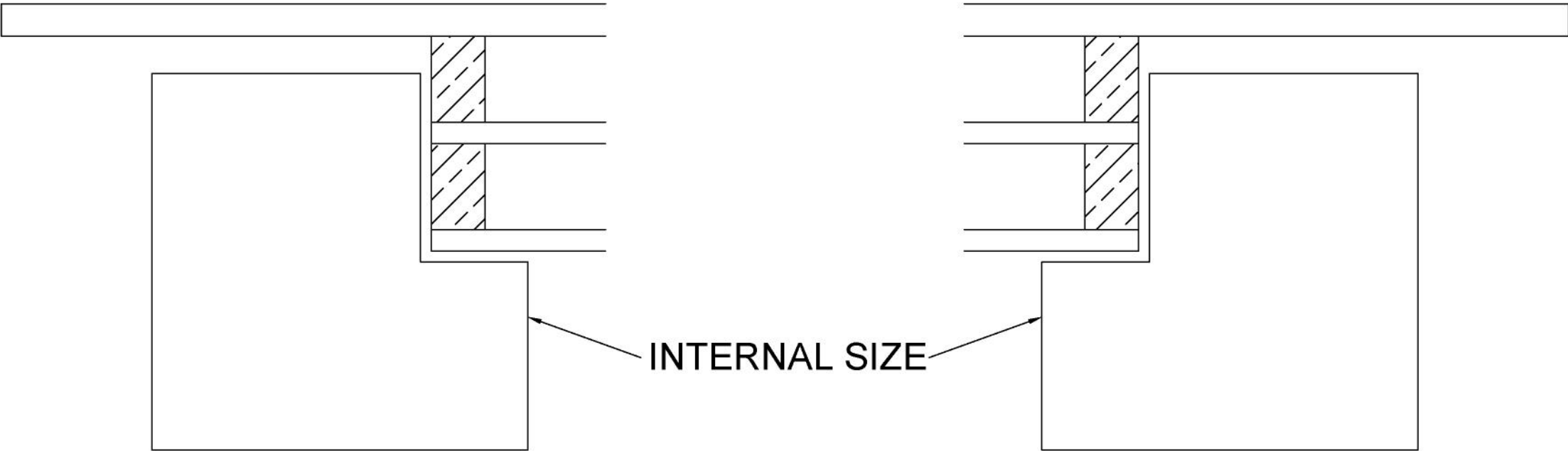


ELECTRIC OPENING SKYLIGHTS LTD

ROOFLIGHT SECTION

| | | | |
|-------|--------------|------------|---------|
| SCALE | 1:1 | SHEET SIZE | A4 |
| DATE | 10 - 01 - 22 | DRG NO. | PL - 03 |
| | | REV. | - |

**RECOMMENDED FALL GRADIENT OF 80mm FOR EVERY 1000mm INCLUDING THE FALL OF THE ROOF.
A WATER TEST IS ADVISED BEFORE SEALING TO ENSURE WATER RUN OFF.**



ALL SIZES TAKEN AS INTERNAL

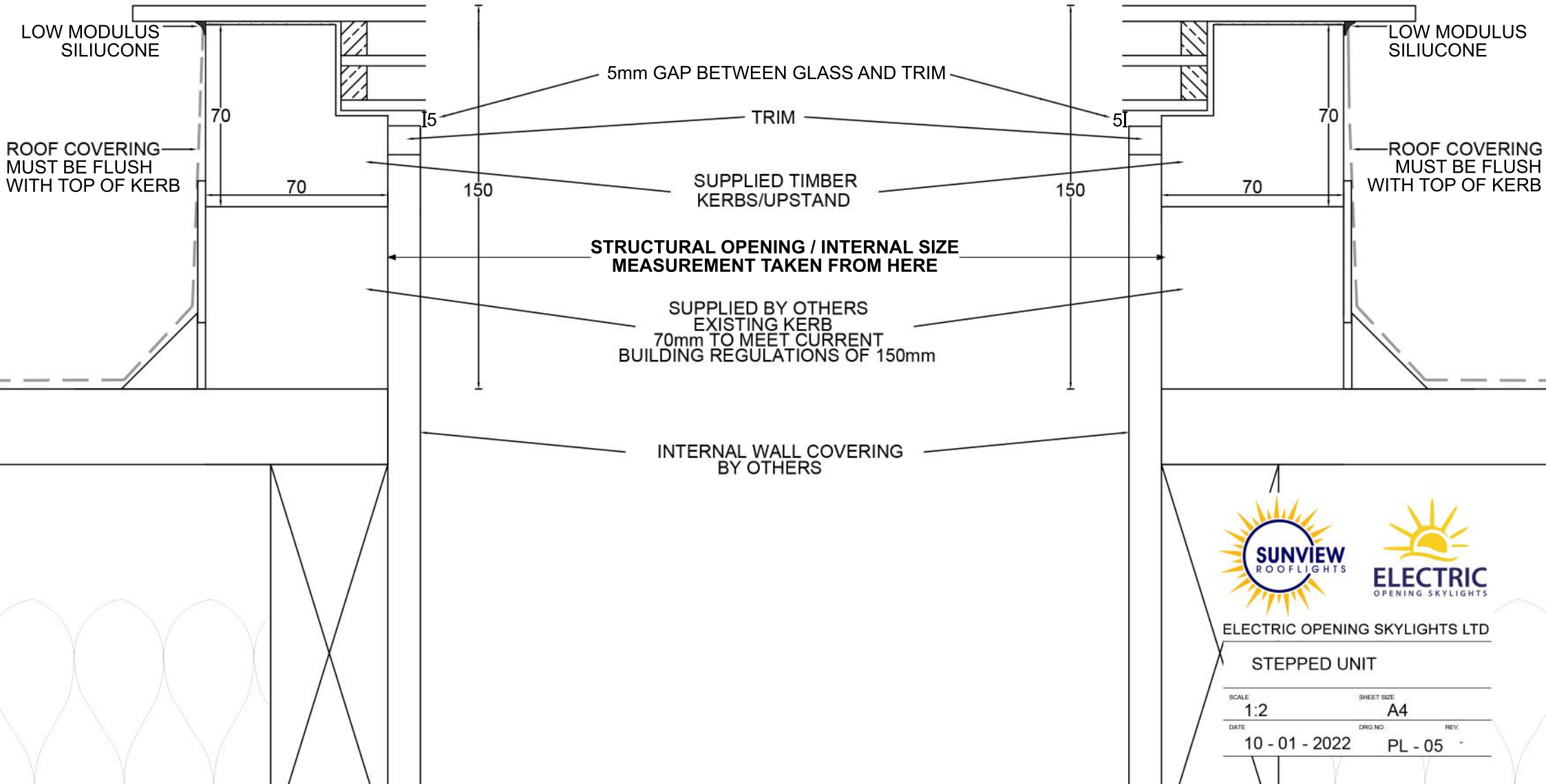


ELECTRIC OPENING SKYLIGHTS LTD

ROOFLIGHT SECTION

| | | | |
|-------|--------------|------------|---------|
| SCALE | 1:1 | SHEET SIZE | A4 |
| DATE | 10 - 01 - 22 | DRG NO. | PL - 04 |
| | | REV. | - |

RECOMMENDED FALL GRADIENT 80mm FOR EVERY 1000mm INCLUDING THE FALL OF THE ROOF
PERFORM WATER TEST BEFORE SEALING INTO PLACE TO CHECK FOR POOLING



ELECTRIC OPENING SKYLIGHTS LTD

STEPPED UNIT

| SCALE | SHEET SIZE |
|----------------|--------------|
| 1:2 | A4 |
| DATE | DRG NO. REV. |
| 10 - 01 - 2022 | PL - 05 |